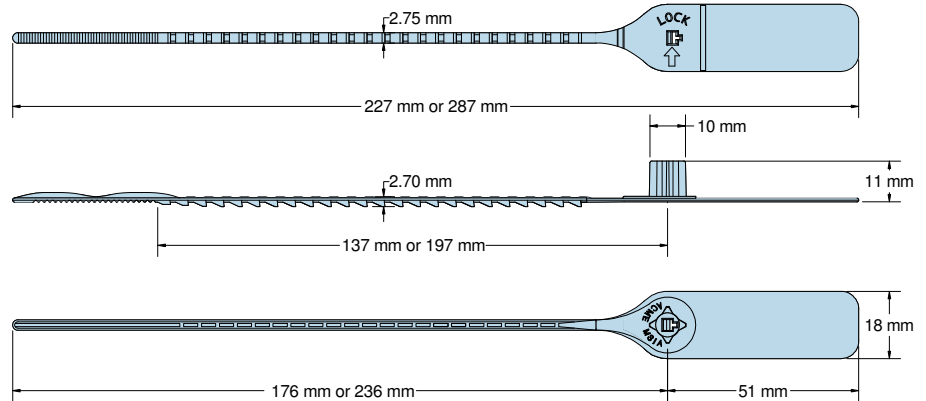




## M SEAL Data Sheet



The Acme **M Seal** is a pull tight seal manufactured from Polypropylene material. The locking action is very similar to the tried and tested Minitight but has the contours of the smooth X Seal. The design offers a cost effective solution for applications where strength is not the primary requirement, but is ideal for use as an indicative seal.

### Technical Data

#### Recommended Applications

Airlines, Refineries, Warehouses, Cash bags, Postbags, Mailrooms, Bar boxes, Fire doors, Lockers.

#### Material

Polypropylene

#### Available Operating Length

(L1) 17.6cm (overall 23cm)

(L2) 23.6cm (overall 29cm)

#### Strap Width

2.75mm

#### Average Breaking Strength

15kg

#### Marking

Laser, Foil or Thermo Transfer

Consecutively numbered as standard

Optional Customer name/logo

Optional Laser or Thermo Transfer Barcoding

#### Colours

Foil marked: red, blue, green, yellow, orange, black, white.

Laser or Foil marked: pastel shades of pink, blue, green, yellow, peach, also black and white.

Thermo Transfer: all of the above

Other colours may be available on request.

#### Packaging

Standard Packaging : 10 per mat and 1,000 seals/carton

Carton Dimensions : (L1) - 28cm x 20cm x 24cm

: (L2) - 32cm x 20cm x 24cm

Carton weight : (L1) - 2.55kg/carton

: (L2) - 2.85kg/carton