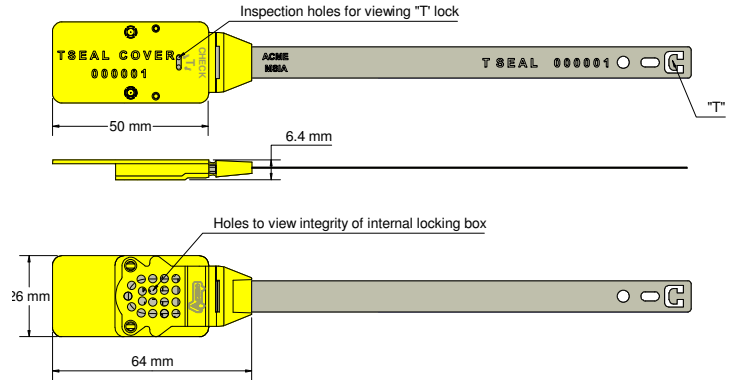




## ENCAPSULATED T SEAL Data Sheet

Patent No. 2101532



The classic Acme **T Seal** is available with a Polypropylene cover which **encapsulates** the metal lock box. The plastic cover can be manufactured in a range of colours and can be laser marked with customer name/logo and consecutive numbering and for added security the same number is laser marked onto the strip. The unique design of this cover does not affect the integrity of the T seal, it is merely an application allowing the option of colour-coding and bar-coding should this be a requirement. A slot directly in line with the holes in the metal lock box still allow the user and security personnel to view the tips of the “T” mechanism within the lock box ensuring the seal has been correctly locked and has not been pre-tampered. Like the **T Seal** this seal cannot be disengaged by intrusion or manipulation, nor can it be dismantled or cut without leaving obvious traces. It can be manufactured in operating lengths of between 10cm to 95cm and is suitable for use in temperatures of -60°C to 200°C (-76°F to 392°F).

### Technical Data

#### Recommended Applications

Trailers, Tankers, Containers, Rail freight, Refineries,  
Cash bags, Postbags, Lockers.

#### Material

T Seal - Matt Tinplated Steel  
Encapsulated cover - Polypropylene

#### Available Operating Lengths

10cm - 95cm (18cm is the standard length)

#### Marking Dimensions

Strip - 10mm x 85mm  
Cover - 26mm x 64mm

#### Strip Width

10mm

#### Average Breaking Strength

70kg

#### Acceptance

HM Revenue & Customs Sub-Group 3  
EU Regulation 2454/93, Article 386, Annex 46A  
US in-Bond Security

#### Marking

Laser marking  
Consecutively numbered as standard  
Optional customer name/logo  
Optional Laser Barcoding (on encapsulated cover only)

#### Colours

Laser marked: pastel shades of pink, blue, green, yellow, peach,  
also black & white.  
Other colours may be available on request.

#### Packaging (18cm standard length seal)

Standard Packaging : 5 seals per mat and 1,000 seals/carton  
Carton Dimensions : 42cm x 28cm x 23.4cm  
Carton weight : 11.2kg/carton  
Packaging details for other lengths are available on request.